

Increasing the Common-Mode Rejection Ratio of Differential Amplifiers Through Precisely Matched Resistor Networks

Thomas Brand
Analog Devices, Inc.

Differential amplifier circuits, such as the one illustrated in Figure 1, are required in analog technology for a wide variety of applications. One example is measurement technology in which, depending on the application, an extremely high level of measurement accuracy may be required. To achieve this accuracy, it is important to minimize typical sources of error such as offset and gain errors, as well as noise, tolerances, and drift. For this purpose, high precision operational amplifiers are used. Also important are the external components of the amplifier circuit, especially the resistors, which should have matching ratios and not arbitrarily chosen ones.

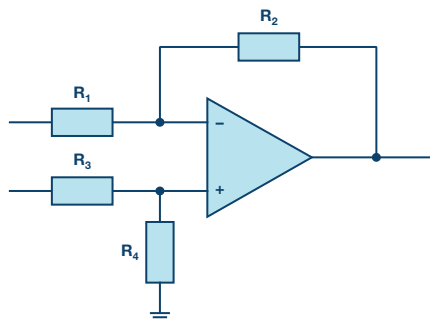


Figure 1. Conventional differential amplifier circuit.

Ideally, the resistors in differential amplifier circuits should be selected in such a way that their ratios are identical ($R_2/R_1 = R_4/R_3$). Any deviation from these ratios will lead to an undesired common-mode error. The ability of a differential amplifier to reject this common-mode error is given in terms of the common-mode rejection ratio (CMRR). It indicates how the output voltage changes with identical input voltages (common-mode voltages). In the best case, the output voltage should not change because it only depends on the difference between the two input voltages (max CMRR); however, the situation differs in practice. The CMRR is an important characteristic of differential amplifier circuits and is usually given in dB.

For differential amplifier circuits such as the one shown in Figure 1, the CMRR is determined by the amplifier itself, as well as by the externally connected resistors. The latter, resistor-dependent CMRR is denoted by the index “R” in the remainder of the article and is calculated using the following equation:

$$CMRR_R \approx \frac{\frac{1}{2} (G + 1)}{\frac{\Delta R}{R}} \quad (1)$$

For example, a desired gain of $G = 1$ and the use of resistors with a tolerance of 1% matched to 2% in the amplifier circuit yields a common-mode rejection ratio of

$$CMRR_R \approx \frac{\frac{1}{2} (1 + 1)}{0.02} = 50$$

or in dB

$$CMRR_R \approx 20 \log \left(\frac{\frac{1}{2} (1 + 1)}{0.02} \right) = 34 \text{ dB} \quad (2)$$

At 34 dB, the $CMRR_R$ is relatively low. In this case, even if the amplifier has a very good CMRR, a high accuracy cannot be achieved as the chain is always only as strong as its weakest link. Accordingly, for precise measuring circuits, the selected resistors must also be extremely precise.

Conventional resistors do not have constant values in practice. They are subjected to mechanical loads and the effects of temperature. Depending on the requirement, resistors with different tolerances or matched resistor pairs or networks, which for the most part are manufactured using thin film technology and offer precise ratiometric stability, may be used. With these matched resistor networks (for example, the [LT5400](#) quad matched resistor network) the overall CMRR of the amplifier circuit can be dramatically improved. The LT5400 resistor network guarantees a CMRR that is up to two times better compared to discrete resistors due to its outstanding matching over the entire temperature range, especially when used in combination with differential amplifier circuits.

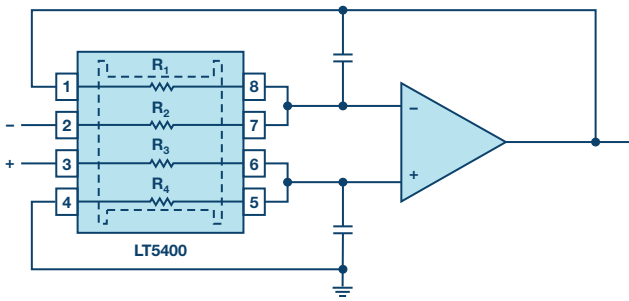


Figure 2. Differential amplifier circuit with LT5400.

Thus, the LT5400 offers 0.005% matching, which results in a $CMRR_R$ of 86 dB.

However, the total common-mode rejection ratio of amplifier circuits ($CMRR_{Total}$) is formed by the combination of the resistor $CMRR_R$ and the common-mode rejection ratio of the op amp ($CMRR_{OP}$). For differential amplifiers, this is calculated using Equation 3:

$$CMRR_{Total} \approx \frac{\frac{1}{2} (G + 1)}{\frac{1}{2 \times CMRR_{OP}} (G + 1) + \frac{\Delta R}{R}} \quad (3)$$

For a typical $CMRR_{OP}$ of 112 dB, as offered, for example, by the LT1468, and a gain of $G = 1$ with the LT5400, a value of 85.6 dB is yielded for $CMRR_{Total}$.

Alternatively, integrated differential amplifiers such as the LTC6363 can be used. This type of amplifier already contains the actual amplifier and optimally matched resistors in a chip. It eliminates nearly all of the problems mentioned above and likewise offers maximum accuracy at $CMRR$ values of over 90 dB.

Conclusion

The external resistor circuit must be selected carefully based on the requirements for accuracy of the differential amplifier circuit so that a high system performance can be achieved.

Alternatively, integrated differential amplifiers such as the LTC6363 with integrated matched resistors on the chip can be used.

About the Author

Thomas Brand began his career at Analog Devices in Munich in October 2015 as part of his master's thesis. From May 2016 to January 2017, he was part of a trainee program for field applications engineers at Analog Devices and moved into the role upon completion in February 2017. Within this role, he is mainly responsible for large industrial customers. Furthermore, he specializes in the subject area of industrial Ethernet and supports related matters in central Europe.

He studied electrical engineering at the University of Cooperative Education in Mosbach before completing his postgraduate studies in international sales with a master's degree from the University of Applied Sciences in Constance. He can be reached at thomas.brand@analog.com.

Online Support Community



Engage with the Analog Devices technology experts in our online support community. Ask your tough design questions, browse FAQs, or join a conversation.

[Visit ez.analog.com](http://ez.analog.com)

Analog Devices, Inc. Worldwide Headquarters

Analog Devices, Inc.
One Technology Way
P.O. Box 9106
Norwood, MA 02062-9106
U.S.A.
Tel: 781.329.4700
(800.262.5643, U.S.A. only)
Fax: 781.461.3113

Analog Devices, Inc. Europe Headquarters

Analog Devices GmbH
Ott-Aicher-Str. 60-64
80807 München
Germany
Tel: 49.89.76903.0
Fax: 49.89.76903.157

Analog Devices, Inc. Japan Headquarters

Analog Devices, KK
New Pier Takeshiba
South Tower Building
1-16-1 Kaigan, Minato-ku,
Tokyo, 105-6891
Japan
Tel: 813.5402.8200
Fax: 813.5402.1064

Analog Devices, Inc. Asia Pacific Headquarters

Analog Devices
5F, Sandhill Plaza
2290 Zuchongzhi Road
Zhangjiang Hi-Tech Park
Pudong New District
Shanghai, China 201203
Tel: 86.21.2320.8000
Fax: 86.21.2320.8222

©2019 Analog Devices, Inc. All rights reserved. Trademarks and registered trademarks are the property of their respective owners. Ahead of What's Possible is a trademark of Analog Devices. TA20903-4/19(A)

analog.com



AHEAD OF WHAT'S POSSIBLE™