



MVC Reference Manual

Mpression Machine Vision Camera

Revision 0.1

2020/06/20

© Mpression – Solutions by Macnica Group

Disclaimer

The information in this document (hereinafter called “Information”) is subject to change without notice.

Macnica Inc. (hereinafter called “Manufacturer”) makes no warranty of any kind regarding this document, or of any liability arising out of the application or use of information in this document, and assumes no responsibility for any errors that may appear in this document.

This document is distributed without any charge and reselling or copying without written authorization by Manufacturer is restricted.

IN NO EVENT WILL MANUFACTURER BE LIABLE FOR ANY CONSEQUENTIAL, INDIRECT, EXEMPLARY, SPECIAL, OR INCIDENTAL DAMAGES, INCLUDING ANY LOST DATA AND LOST PROFITS, ARISING FROM OR RELATING TO YOUR USE OF THE INFORMATION, EVEN IF YOU HAVE BEEN ADVISED OF THE POSSIBILITY OF SUCH DAMAGES. THE TOTAL CUMULATIVE LIABILITY OF MANUFACTURER IN CONNECTION WITH YOUR USE OF THE INFORMATION IN THIS DOCUMENT, WHETHER IN CONTRACT OR TORT OR OTHERWISE, WILL IN NO EVENT EXCEED THE AMOUNT OF FEES PAID BY YOU TO MANUFACTURER HEREUNDER FOR USE OF THE INFORMATION. YOU ACKNOWLEDGE THAT THE FEES, IF ANY, REFLECT THE ALLOCATION OF RISK SET FORTH IN THIS AGREEMENT AND THAT MANUFACTURER WOULD NOT MAKE AVAILABLE THE INFORMATION TO YOU WITHOUT THESE LIMITATIONS OF LIABILITY.

The Information is not intended for use in the development of on-line control equipment in hazardous environments requiring failsafe controls, such as in the operation of nuclear facilities, aircraft navigation or communications systems, air traffic control, life support, or weapons systems (“High-Risk Applications”). Manufacturer specifically disclaims any express or implied warranties of fitness for such High-Risk Applications. You represent that use of the Information in such High-Risk Applications is fully at your risk.

Index

- 1. Specifications** **4**
 - 1.1 General Specifications 4
 - 1.2 Mechanical Specifications..... 5
 - 1.2.1 Camera Dimensions and Mounting Points 5
- 2. Physical Interface** **6**
 - 2.1 Camera Power 6
 - 2.2 Opto-Coupled I/O Input Line 6
 - 2.3 Opto-Coupled I/O Output Line..... 6
 - 2.4 General Purpose I/O Lines 6
 - 2.4.1 Operation as Input 6
 - 2.4.2 Operation as Output 6
 - 2.5 Camera Cables 7
 - 2.6 Connector Pin Numbering and Assignments 7
- 3. Installation** **8**
 - 3.1 Software Installation (Windows)..... 8
- 4. Document Revision History** **12**

1. Specifications

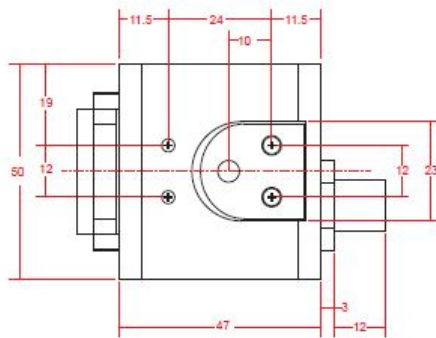
1.1 General Specifications

Table 1-1 General Specifications

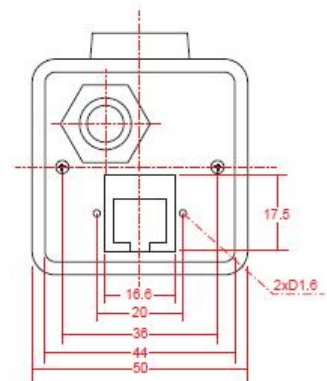
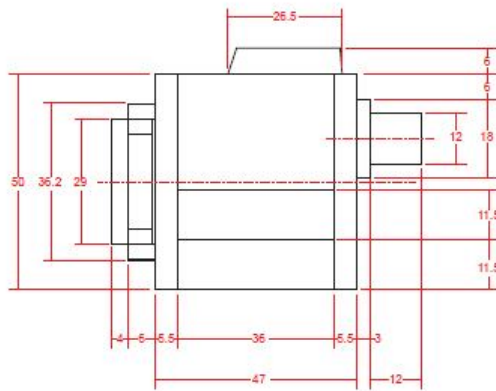
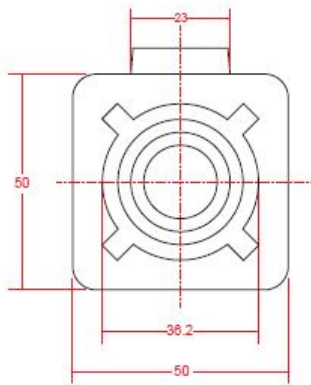
Specification	CYMVC-ON5MGS-MNGEA
Sensor Part	ON Semiconductor PYTHON NOIP3SN5000A
Sensor Type	CMOS Sensor, 5MP, Global Shutter
Optical Size	1"
Pixel Size	4.8 μm x 4.8 μm
Resolution	2592 x 2048
Frame Rate	22 fps (max)
Mono / Color	Mono
Pixel Formats	Mono 10bit
Synchronization	Software trigger Free run
Exposure Time Control	Auto Exposure; Programmable via the camera API
Power Requirements	12V DC supplied via I/O connector
Data Interface	Gigabit Ethernet
I/O Lines	1 opto-coupled input line 1 opto-coupled output line 1 general purpose I/O (GPIO) line
Lens Mount	C-mount
Size (L x W x H)	50mm x 50mm x 47 mm
Weight	176 g
Conformity	GenICam, GigE Vision
Software	OCT SDK Available for Win 7 and Win 10
Accessories	Cables for your camera model

1.2 Mechanical Specifications

1.2.1 Camera Dimensions and Mounting Points



Unit: mm



2. Physical Interface

2.1 Camera Power

The operation voltage is 12 VDC. To avoid camera damage, a maximum of 18 VDC must be not exceed.

2.2 Opto-Coupled I/O Input Line

Voltage	Description
30 VDC	Absolute maximum voltage
0~24 VDC	Safe operation voltage
0~1.0 VDC	Logical 0
>2.2 VDC	Logical 1

2.3 Opto-Coupled I/O Output Line

Voltage	Description
30 VDC	Absolute maximum voltage
3.3~24 VDC	Safe high voltage

2.4 General Purpose I/O Lines

2.4.1 Operation as Input

Voltage	Description
30 VDC	Absolute maximum voltage
0~5 VDC	Safe operation voltage
0~0.5 VDC	Logical 0
>2 VDC	Logical 1

2.4.2 Operation as Output

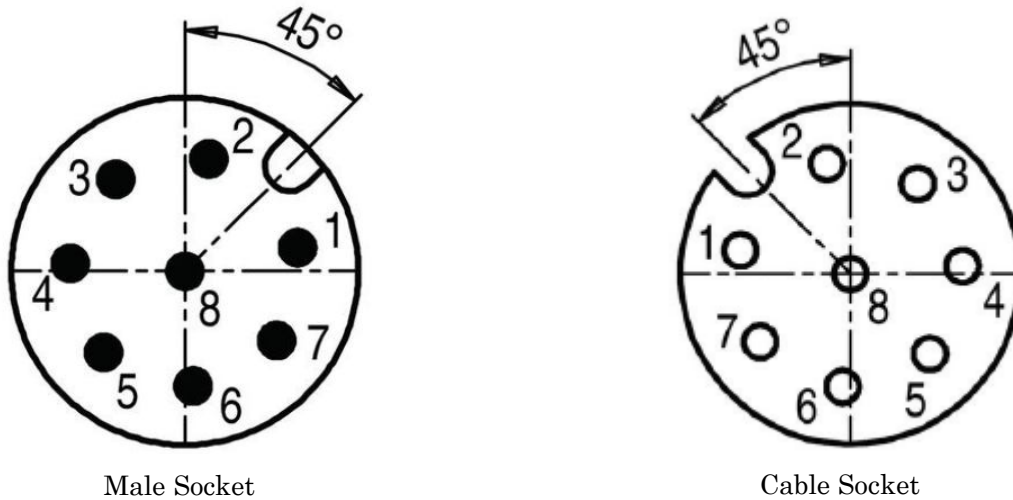
Voltage	Description
30 VDC	Absolute maximum voltage
2.5~5 VDC	High voltage
0 VDC	Low voltage

2.5 Camera Cables

Ethernet Cable: Use of shielded CAT 5E or better cables with STP shielding is recommended.

I/O Cable: Connecting thread M12, 8 pins, IP67.

2.6 Connector Pin Numbering and Assignments



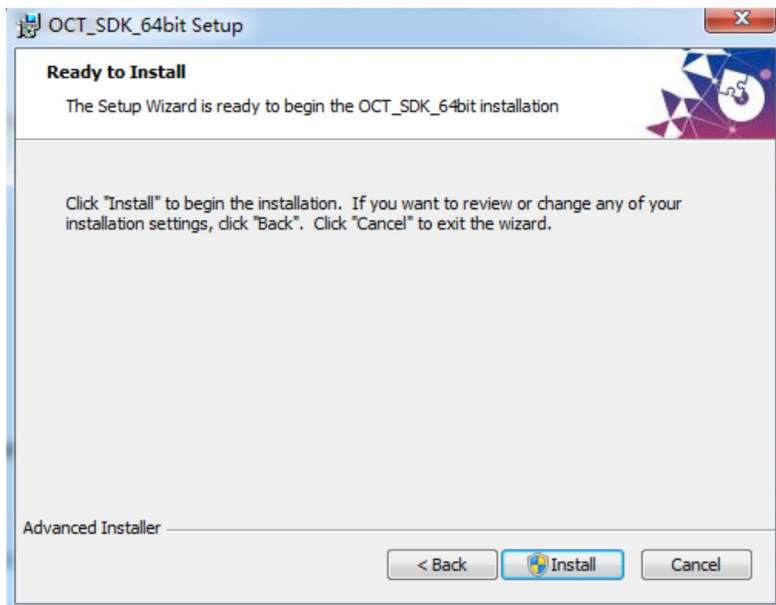
Location	Cable Color	Description
PIN 1	White	GND
PIN 2	Brown	Power 12 VDC
PIN 3	Green	General purpose in/out line
PIN 4	Yellow	Reserved
PIN 5	Grey	Opto-coupled input line
PIN 6	Pink	Opto-coupled output line
PIN 7	Blue	GND for opto-coupled
PIN 8	Red	Power for opto-coupled (Max 30VDC)

3. Installation

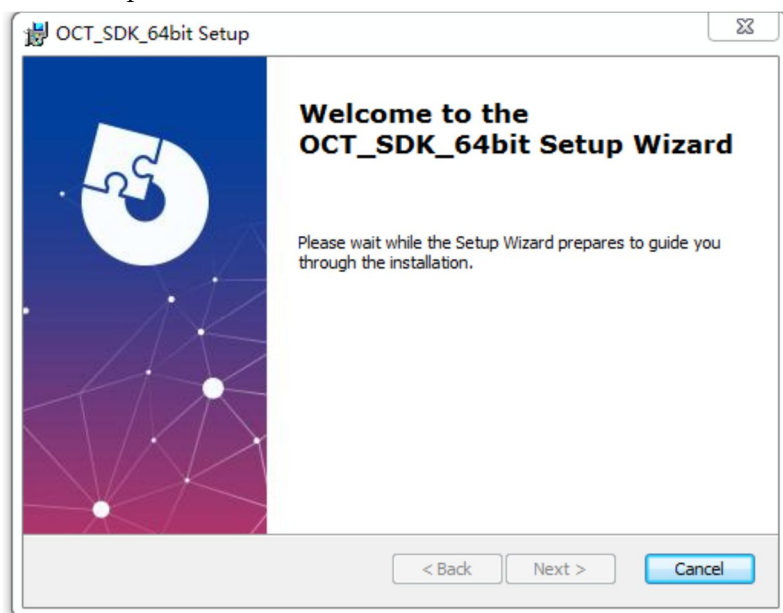
OCT SDK can run in Windows 7 or Windows 10. It includes two parts, OCT tool and OCT drivers (U3V and GigE).

3.1 Software Installation (Windows)

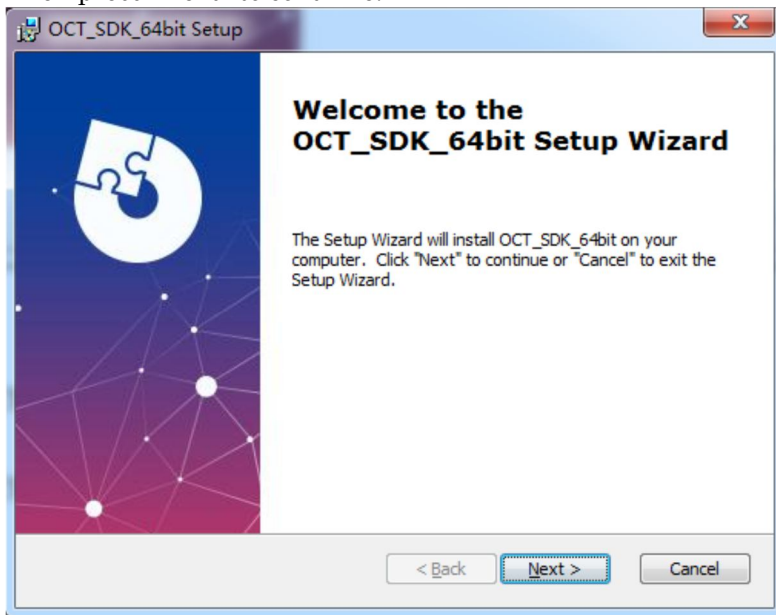
Before software installation, you should get administrator authority. Then double click the installation package “OCT SDK x64.msi”.



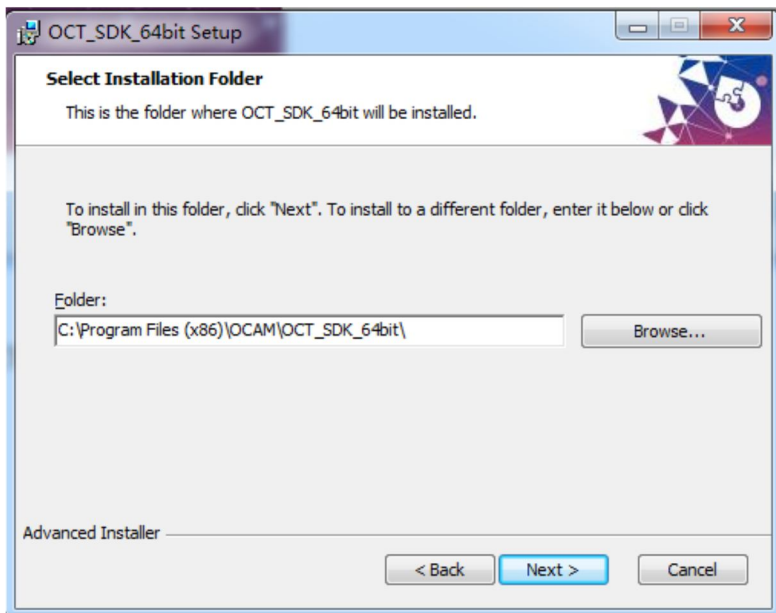
Because installation needs to detect system components, it will wait for 2 minutes in this interface. Please be patient.

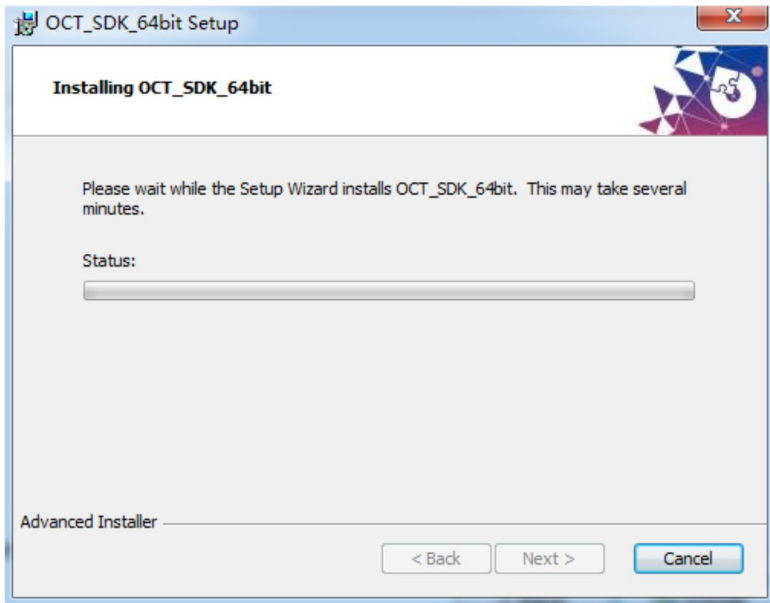


Then press “Next” to continue.

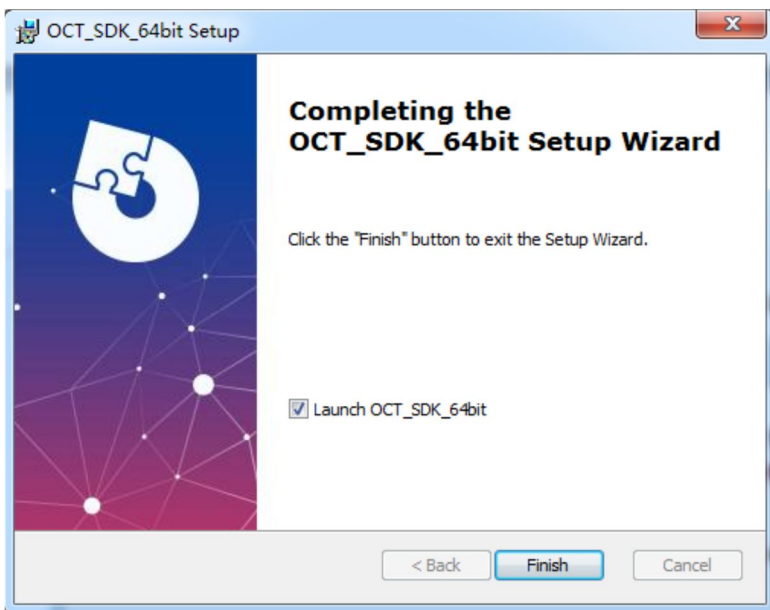


Please select install folder from below interface.

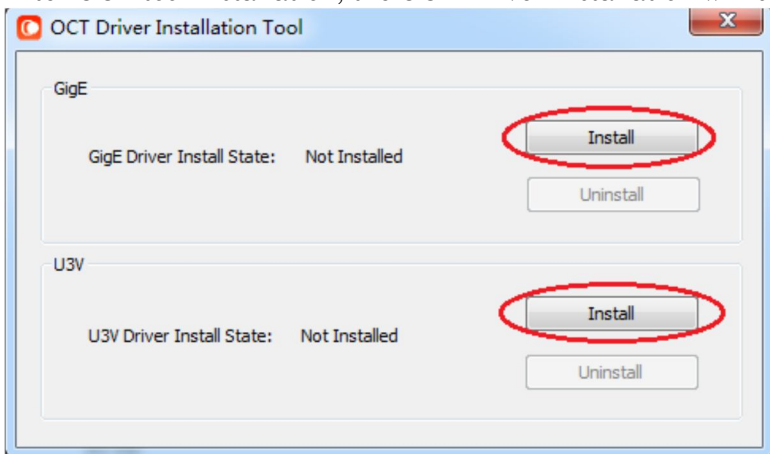




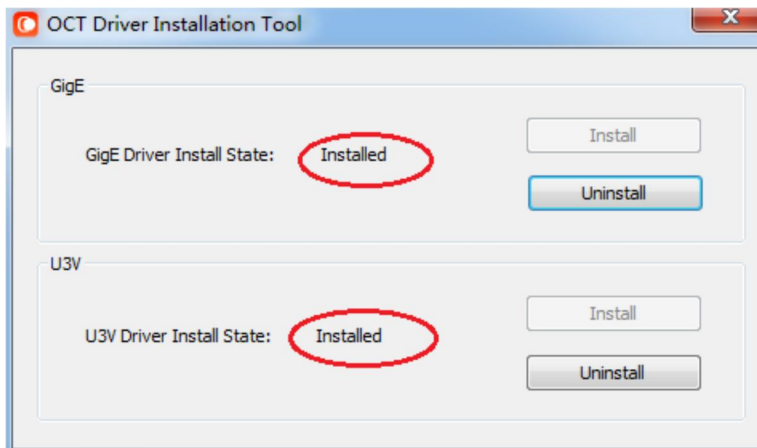
Click "Finish" to implement installation.



After OCT tool installation, the OCT Driver installation will start automatically.



Please select drivers to install.



4. Document Revision History

Date	Revision	Changes
June 20, 2020	0.1	<ul style="list-style-type: none">• Document created
		<ul style="list-style-type: none">•
		<ul style="list-style-type: none">•